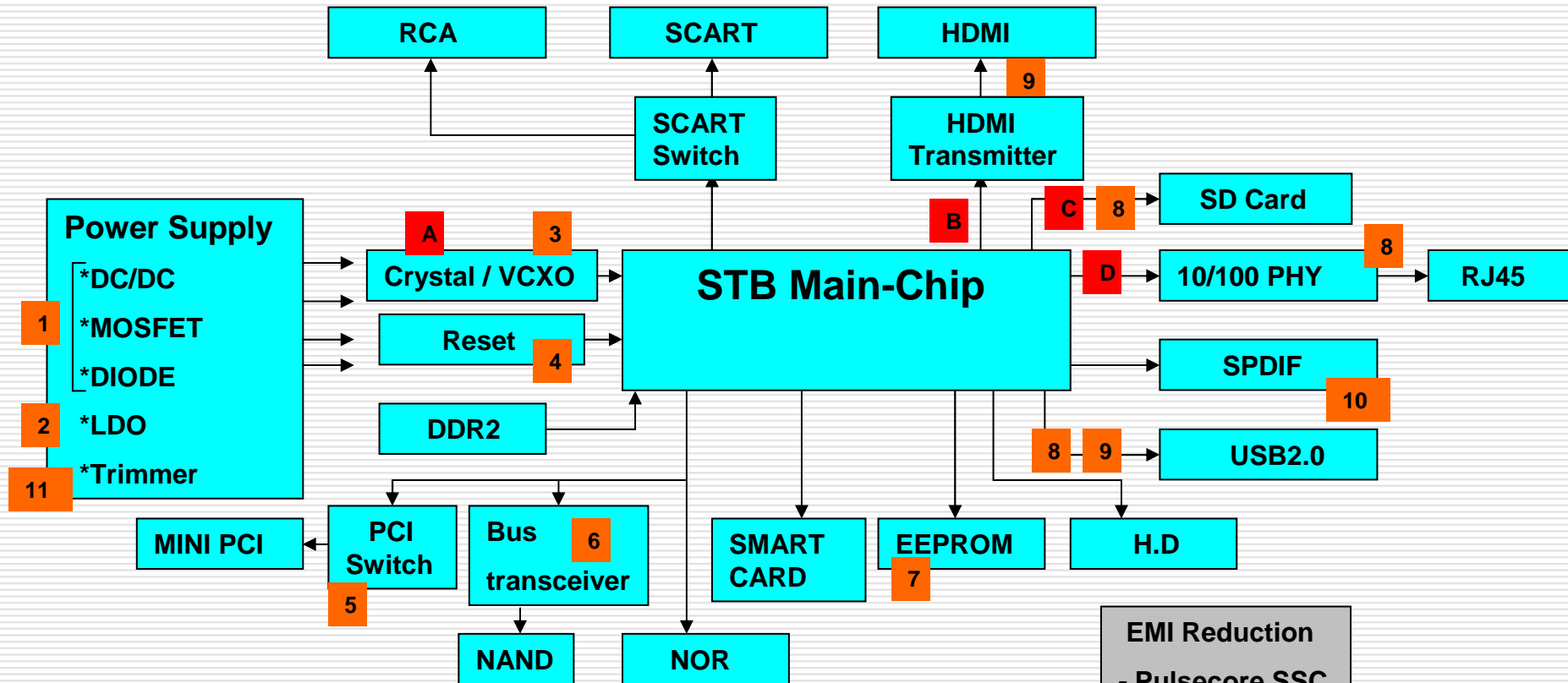


STB Block Diagram



盛泰科技

Power Product

- 1. GTM – Power IC
- 2. Pericom - CMOS LDO

Clock Product

- 3. Pericom – OSC/VCXO

System Monitor Product

- 4. Pericom – Reset [WD / MR] – RTC

Switch Product

- 5. Pericom - Digital Switch
- 6. Pericom - Bus transceiver

Storage Product

- 7. GTM - EEPROM

Protect Product

- 8. Bourns – Chip guard / Multi-fuse
- 9. Bourns – TVS Diode array

EMI Reduction

- Pulsecore SSC
- (A) P2781AF - System
- (B).PCS3P85R - HDMI
- (C).PCS3P85S - SD
- (D).PCS3P85G - LAN

Connector Product

- 10. SPDIF – KLG

Trimmer Product

- 11. Bourns – Trimmer